

Z-FRAME™



F-450/F-550 SUPER *LO-FLOOR*® Chassis



DALLAS SMITH CORP.®

www.dallassmithcorp.com

Scan with your
smartphone
to learn more!

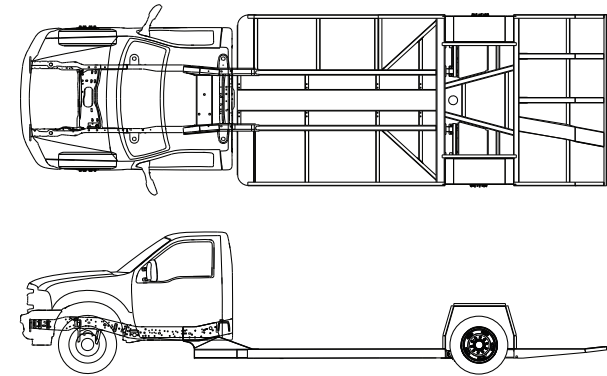




The Z-Frame™ is manufactured on a front wheel drive Ford F-450/F-550 Lo-Floor® chassis cab platform, is produced by MOR/Ryde International. The Z-Frame™ Lo-Floor® chassis cab has a step-in/step-out floor height as low as 8" - meaning that no lifts or steep ramps are required for passenger boarding accessibility. Z-Frame™ chassis are available in 14,500 lbs. to 19,500 lbs. gross vehicle weight ratings (GVWR). All Z-Frame™ chassis incorporate an Axleless® air ride Wide – Trac™ rear independent suspension which provides improved vehicle handling and stability.

DSC Ford F-450/F-550 Z-Frame™ Lo-Floor® Chassis Suspension

- 8" Equal Access™ Step-In/Out Floor Height
- DSC IntelliSYNC® Connect Air-Ride Suspension System
- 6.7L Power Stroke™ V8 Turbo Diesel
- 6.8L 3-Valve V10 Gas SOHC (option - contact manufacturer)
- CNG (option - contact manufacturer)
- Full-time Front Wheel Drive
- Solid Twin-Air Monobeam Axle (7,000lb rating)
- Axleless® Independent Rear Suspension (14,000lb rating)
- Springs - Air Independent
- Brakes - 4-wheel vented disc ABS
- Chassis suspension system installed by a Ford Motor Company QVM Program participant.
- 7 and 10 Year Altoona Tested
- Dearborn Development Center
- Z-Frame™ chassis suspension systems are specifically designed to meet your transportation needs.
- Contact your dealer/distributor today to learn more.



Manuals:

In addition to the contractor supplied information; vehicle suspension manuals, diagrams, schematics, and part's reference shall be available/accessible online and downloadable/printable.

About Dallas Smith Corp.:

For over 54 years, Dallas Smith Corp. has been providing the transportation industry with safer, smarter, and easier suspension systems. We are a complete design, engineering, and manufacturing company focusing entirely on low floor chassis and suspension systems for commercial application vehicles. Our patented technology is built, tested, and certified by the industry's very best!

Products shown and described are covered by one of the following patents and pending patents: US Patents 4,878,691; 4,934,733; 5,016,912; 5,275,430; 5,839,750; 6,398,251; CA 2,007,219; 5,505,278; 6,428,026.

Copyright© 2012, Dallas Smith Corp. All Rights Reserved. The Dallas Smith name, logo, and IntelliSync; are trademarks owned by Dallas Smith Corp. All other registered trademarks and logos are of the respective company identified.